

# CABLE SEALS

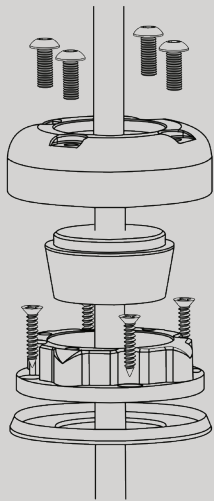
## WATERPROOF CABLE ROUTING

The Seaview Cable Seal (also known as CableClams or Deck Seals) provide waterproof cable routing. Made of very strong UV resistant plastic or marine grade 316 stainless steel that come in a variety of colors and finishes (black, white, gray & polished S.S.). Seaview cable seals fit a wide range of cables and connectors.

All Seaview cable seals will work with more than one cable as long as each cable has its own hole and there is at least .125" (31mm) of rubber around each hole.

### IPX6 & IPX7 Tested & Approved. What does this mean?

- IPX6 test means these pass 100L/min of water sprayed from 2.5 to 3 meters away for 3 min
- IPX7 test means these pass a 30 minute submersion under 1 meter of water



## CABLE SEALS

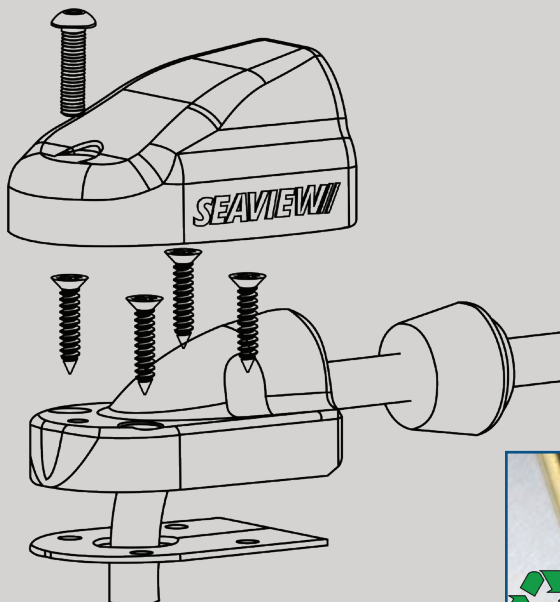
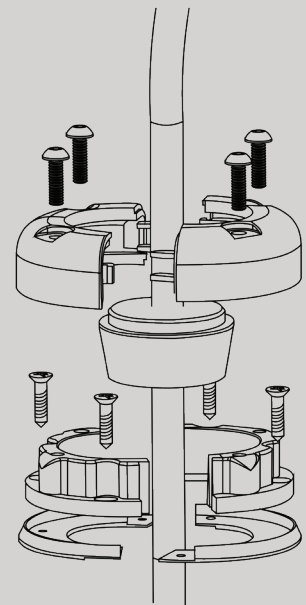
### WATERPROOF VERTICAL CABLE ENTRY

- Made of very strong UV resistant plastic or marine grade 316 stainless steel that come in a variety of colors and finishes
- All Seaview cable seals will work with more than one cable

## RETROFIT CABLE SEALS

### WATERPROOF VERTICAL CABLE ENTRY

- The only guaranteed and proven waterproof installation for your previously installed cables
- No need to re-run your cables, simply install with your cable in place
- Made of very strong UV resistant plastic to fit a wide range of cable sizes



## 90 DEGREE CABLE SEAL

### WATERPROOF HORIZONTAL CABLE ENTRY

- For cables up to 1/2" in diameter or smaller, ideal for almost any installation
- Perfect for rooftop electronics such as solar panels, light bars, lights, etc.
- Available in black UV stable high-impact plastic



#### Drill Tubes Included!

Each cable seal comes with 4 brass drill tubes (6, 8, 10 & 12mm). These are used to drill very clean and easy holes vs a typical drill bit. Some other brands do come with pre-drilled rubbers but we choose to include metal drill tubes that can be recycled or reused when finished vs the extra rubber pieces that will end up in the landfill from others!

# CABLE SEALS

## WATERPROOF CABLE ROUTING



### IMPROVED DESIGN

Unlike other brands, our inner rubber seal is flush with the top of the cable seal so that so that water, dirt, grime, etc. does not have a place to collect.



## HOW DOES IT WORK?



## APPLICATIONS

### MARINE

- Radars, Sat TV, Cameras, Lights, Antennas, Solar, etc.

### AUTO / RV / VAN CONVERSIONS

- Lights, solar panels, Sat TV, antennas, etc.

### HOME / INDUSTRIAL

- Paintable outer housings to match house/ building
- Solar panels, lights, antennas, cable, etc.

### MISC

- Any application that requires water tight cable entry

## FITTING GUIDE

# OF CABLES	CONNECTOR DIAMETER	CABLE DIAMETER	SERIES
<b>CABLE SEALS</b>			
1 or More	Up to 0.81" (20mm)	Up to 0.53" (13.5mm)	<b>CG20 SERIES</b>
1	Up to 0.81" (20mm)	Up to 0.53" (13.5mm)	<b>CG2090</b>
1 or More	Up to 1.38" (34mm)	Up to 1.08" (27.5mm)	<b>CG30 SERIES</b>
Multiple	Up to 0.67" (17mm)	Up to 0.50" (10.6mm)	<b>CGM17 SERIES</b>



Scan QR code for more cable seal information & selector guide.



Seaview Cable Seals can be used for many applications. The example shown is our Cable Seals used for solar panels on top of wind turbines

Seaview Cable Seal installed on the roof of a Van for solar panels.



Retrofit cable seal provides a neat and waterproof solution to pass Starlink's large cable-end through a wall