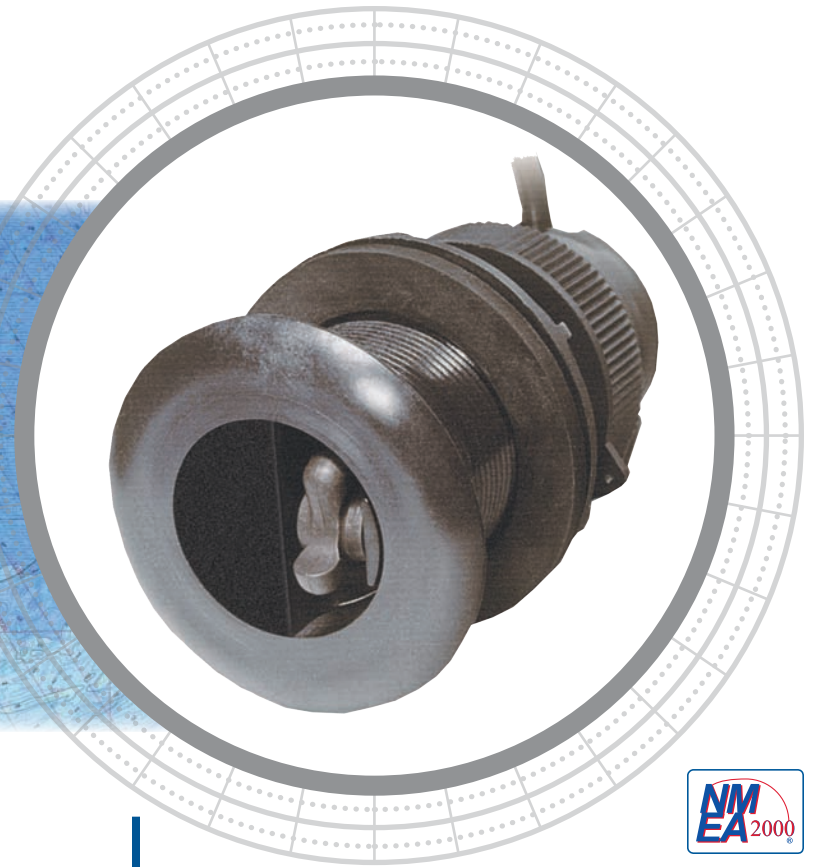
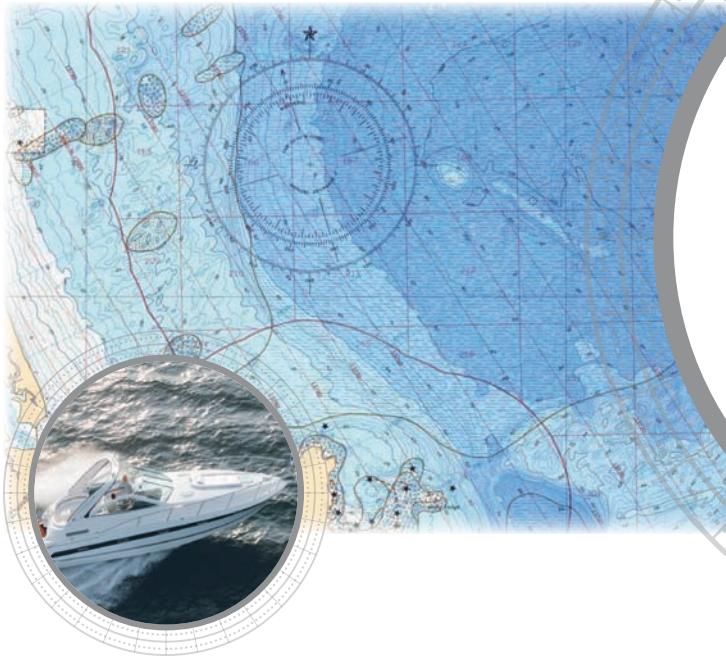


DST800



Single Choice for Depth, Speed, and Temperature!

The DST800 is the market's first Retractable TRIDUCER® Multisensor offering depth, speed, and temperature in a single, 51 mm (2") fitting. Only one hole through the hull simplifies the installation—an attractive feature for boat builders and boat owners alike.

Three-In-One

Patented, speed-signal-processing enhancements provide excellent paddlewheel accuracy below 5 knots (6 MPH) and smooth linear output at all vessel speeds. The transducer's wide, fan-shaped, fore-aft beam is able to find bottom even when installed on steep deadrise hulls or heeling sailboats. You also get true water-temperature readings with the DST800's reliable temperature sensor.

Diversified

This multisensor is designed to work with most electronics on the market today. It's available in analog and digital output configurations, including NMEA 0183, NMEA 2000®, and custom CAN protocols.

Valve Closes the Gap!

Airmar's new housing design incorporates the popular self-closing valve. When a transducer insert is removed, the valve minimizes water flow into the boat.

Smart™ Sensor

TRIDUCER® Multisensor
Thru-Hull Transducer

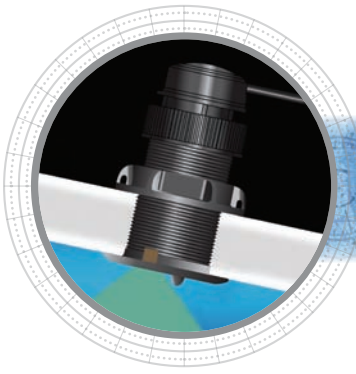
Features

- The all-in-one Smart Sensor
- Depth, speed, and temperature in one compact housing
- Available in NMEA 0183 and NMEA 2000® versions
- Plastic, bronze, or stainless steel housings available
- Fast-response temperature sensor provides $\pm 0.2^{\circ}\text{C}$ ($\pm 0.1^{\circ}\text{F}$) accuracy
- Available as a Smart Sensor at 235 kHz or an analog output sensor operating at either 200 kHz or 235 kHz
- Available in low-profile, countersunk, or beveled-edge housings



Sensing Technology

www.airmar.com



Technical Information

235 kHz-F NMEA 0183 / NMEA 2000®

Number of Elements and Configuration		
Beamwidth (@-3 dB)	10° x 44°	
RMS Power (W)	60 W	100 W

SPECIFICATIONS

Weight:
 —0.9 kg (2.0 lb)—Plastic
 —1.6 kg (3.5 lb)—Bronze
 —1.9 kg (4.2 lb)—Stainless Steel

Acoustic Window: Urethane

Hull Deadrise: Up to 22°

Data Update Rate: 1 per second

Minimum Sounding Depth: 0.5 m (1.6')

Maximum Sounding Depth: 70 m (230')

Pressure Rating: 3 m (10')

Pulse Rate: 20,000 p/nm* (5.6 Hz per knot)—*p/nm = pulses per nautical mile

Smart Sensor Supply Voltage at 100% Sound Power Output: 11.5 VDC to 25 VDC

Supply Current: 40 mA

Standard Cable Length:
 —2 m (6.5')—NMEA 2000® CAN
 —10 m (33')—NMEA 0183

NMEA 2000® Load Equivalency Number (LEN): 4

CE Regulation: Complies to IERC945

DATA OUTPUT PROTOCOL

NMEA 0183 Sentence Structure

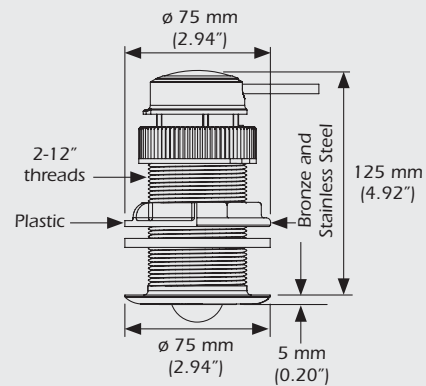
\$SDBT, DDPT... Depth
 \$VWVHW..... Speed
 \$VWVLW..... Distance
 \$YXMTW..... Water Temperature
 \$YXXDR..... Temp2

NMEA 2000® Supported PGNs

59392..... ISO Acknowledgement
 600928..... ISO Address Claim
 126208..... Acknowledge Group Function
 126464..... Transmit PGN List Group Function
 126464..... Received PGN List Group Function
 126996..... Product Information
 128259..... Speed (Speed Water Reference)
 128267..... Water Depth (Water Depth and Transducer)
 128275..... Distance Log
 130310..... Environmental Parameters (Water Temperature)

DIMENSIONS

P617V Plastic, B617V Bronze, and SS617V Stainless Steel



B17V Bronze

